

CARACTERÍSTICAS DO MODELO:

MATERIAL: Dibond®

ESPECIFICAÇÕES:

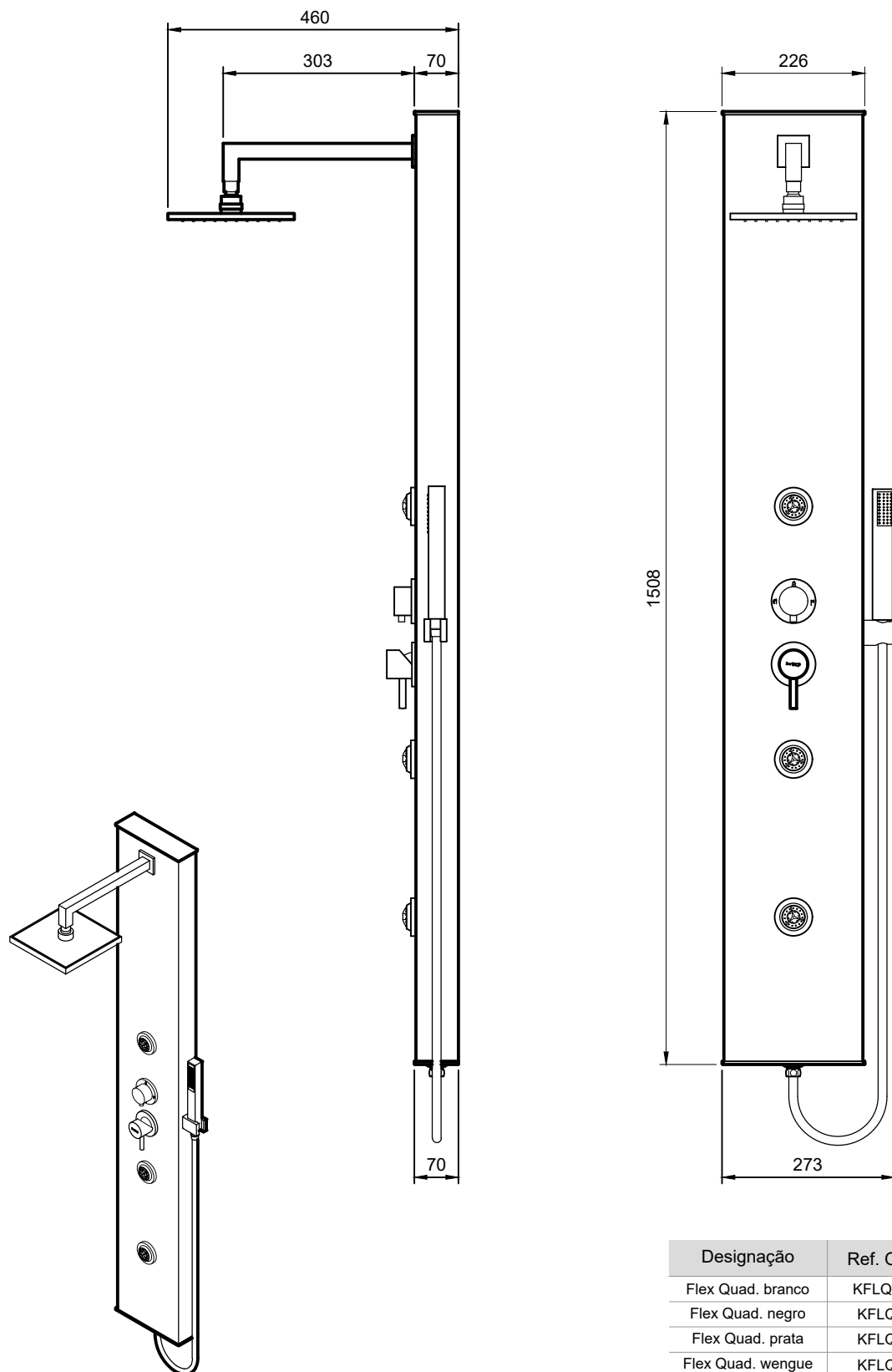
- Chuveiro de mão e chuveiro superior quadrado
- 3 injectores de massagem orientáveis de tripla função: efeito de chuva, pulsante e nebulização
- Chuveiro superior de grandes dimensões
- Misturadora monocomando
- Selector de 4 funções
- Medidas de ligação à rede standard

PESO: 7 kg

PEÇA:

- DESCRIÇÃO: Coluna Hidromassagem
- SERIE: FLEX Quadrada
- VERSÃO: Monocomando
- REF: Consultar tabela

Ficha Informação Técnica



| Designação | Ref. Obsoletas | Ref. Actuais |
|-------------------|----------------|-----------------|
| Flex Quad. branco | KFLQ1PM10C0 | S20027933800000 |
| Flex Quad. negro | KFLQ1PM15A | S20027933805600 |
| Flex Quad. prata | KFLQ1PM22D | S20027933845200 |
| Flex Quad. wengue | KFLQ1PM78C | S20027933820100 |

Dimensões em mm



MODEL FEATURES:

MATERIAL: Dibond®

SPECIFICATIONS:

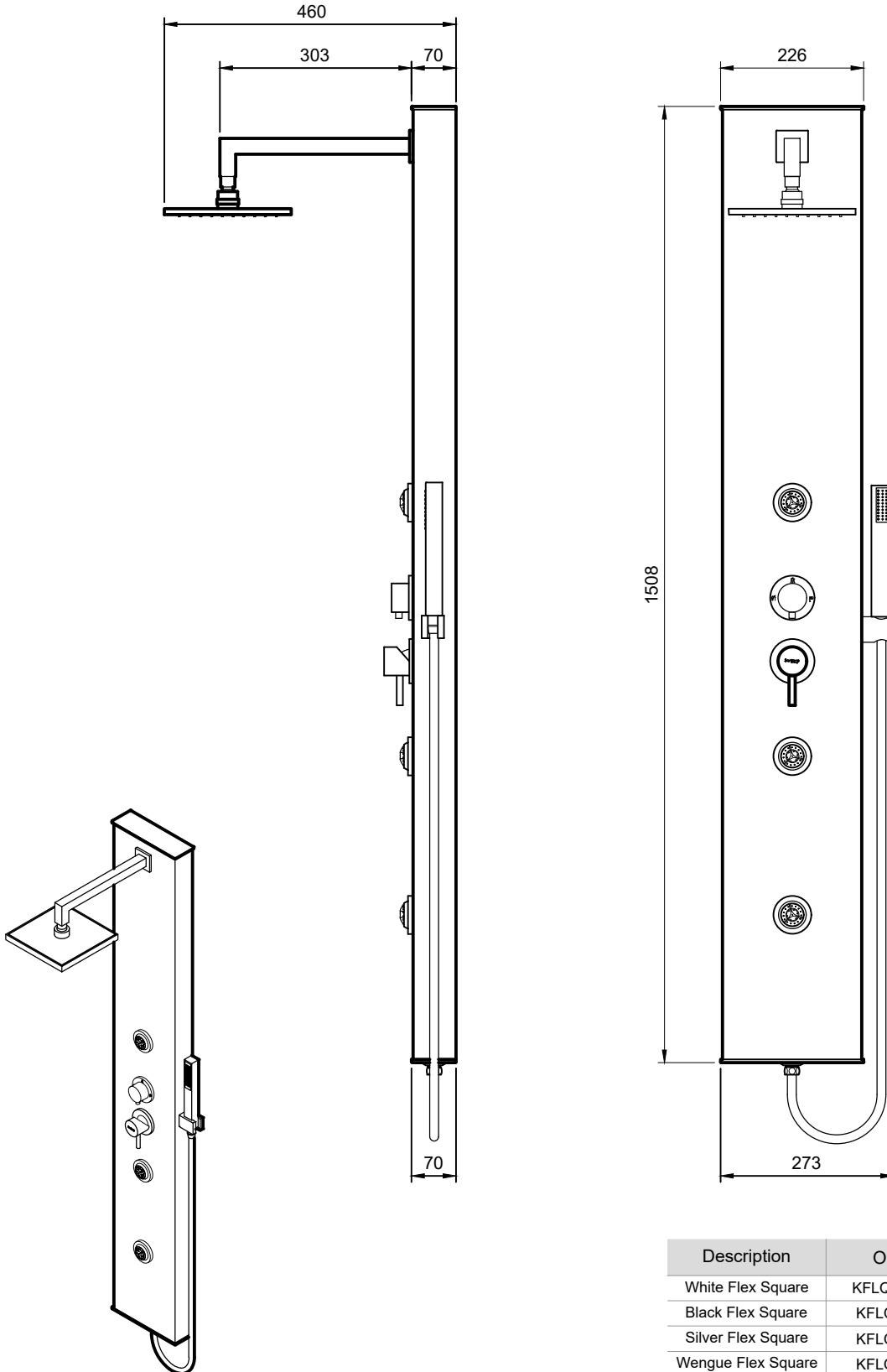
- Hand shower and square top shower
- Triple function adjustable massage jets: Effect of rain, pulsating and fogging
- Top oversize shower
- Single lever mixer
- 4 functions selector
- Standard connection dimensions

WEIGHT: 7 kg

PART:

- DESCRIPTION: Shower Panel
- SERIES: FLEX Square
- VERSION: Single lever mixer
- REF: See table

Technical Data Sheet



| Description | Old Ref. | New Ref. |
|--------------------|-------------|-----------------|
| White Flex Square | KFLQ1PM10C0 | S20027933800000 |
| Black Flex Square | KFLQ1PM15A | S20027933805600 |
| Silver Flex Square | KFLQ1PM22D | S20027933845200 |
| Wengue Flex Square | KFLQ1PM78C | S20027933820100 |

Dimensions in mm

The products presented follow technical specifications by Sanitana S.A. Dimensions provided are indicative only. For custom installation, should only be considered the dimensions measured directly on the part to be installed. We reserve the right to make technical changes to improve the functionality of our products without prior notice.